



**SOLID**  
TO SUCCEED



# MAST LIFT XGR12J

Comply with CE

## Standard configuration

- 2-wheel drive
- Lowering and moving alarm
- Tilt alarm
- Horn with adjustable volume
- Emergency stop of platform and chassis
- 2-wheel braking system
- Proportional self-leveling system
- Proportional joystick control
- Drive enable
- Full time positive traction drive
- Telematics pre-interface
- Anti-extrusion protection device
- Harsh environment kits
- Thumb rocker steering



Working height  
12.75meters



Lift capacity  
200Kg



Electric  
power



## Optional configuration

- Working light assembly
- Platform air pipe

**XCMG FIRE-FIGHTING SAFETY EQUIPMENT CO.,LTD**

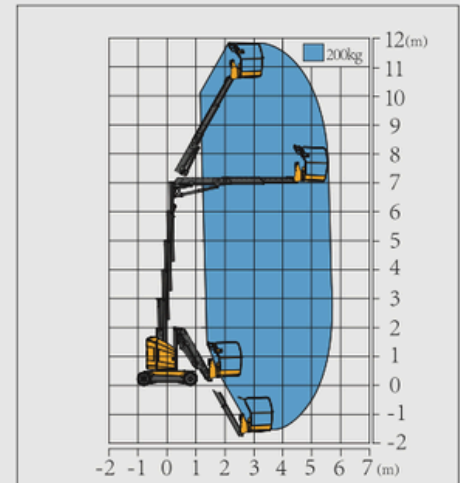
## Mast Lift-Electric

Item	Metric	
<b>Dimension</b>		
Overall dimension - stowed state	Length	3760mm
	Width	1200mm
	Height	2000mm
Overall dimension - transportation	Length	3760mm
	Width	1200mm
	Height	2000mm
Platform dimension	Length	800mm
	Width	1050mm
	Height	1150mm
Wheelbase	1600mm	
Fly jib length (fully retracted/fully extended)	1965/4165mm	
Min. ground clearance	90mm	

<b>Performance</b>	
Max. working height	12.75m
Max. platform height	10.75m
Max. working range	5.66m
Max. Up And Over Clearance	71m
Max. lift capacity	200kg (unlimited)
Max. number of occupants	2
Max. working slope	X-2.5° / Y-2.5°(front)2.5°(back)
Fly jib luffing range	-60°~60°
Turntable rotation	345°
Platform rotation	/
Total weight	4980kg
Driving speed (stowed)	5.5km/h
Driving speed (raised or extended)	0.6 km/h
Min. turning radius (inside/outside)	1700mm/2750mm (front) 820mm/2020mm (back)
Turntable tailswing (stowed)	130mm
Max. gradeability	25% (14°)

<b>Power source</b>	
Control	48V DC proportional control
Traveling motor	3.3kW/32V
Emergency power supply	/
Main power source - battery	48V/265Ah
Main power source - charger	48V/40A
Hydraulic tank capacity	24L

<b>Tire</b>	
Tire size	457mm×178mm
Tire ground pressure	10.83kg/cm <sup>2</sup>
Driving wheels	2
Braking wheels	2
Steering wheels	2



Stowed / Trans

